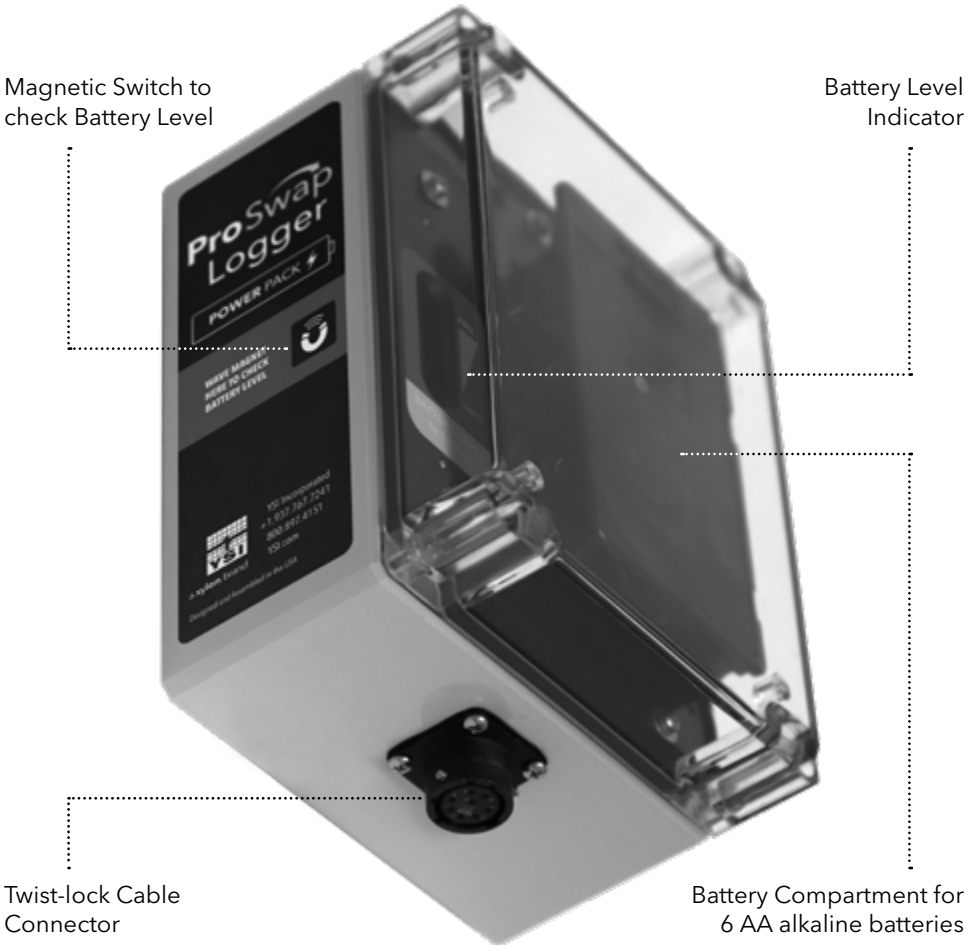


ProSwap Logger

Quick Start Guide Item #610214

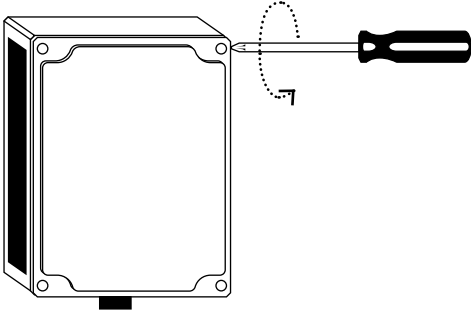
POWER PACK ⚡

This is a reference guide for setting up the ProSwap Logger Power Pack. The Power Pack provides power to the ProSwap Logger using six AA alkaline batteries.

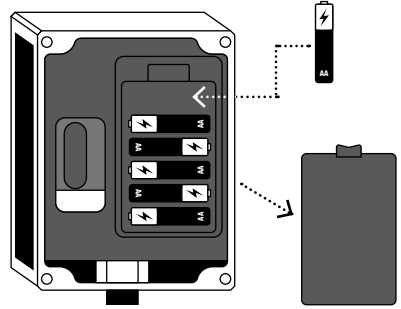


Setting Up

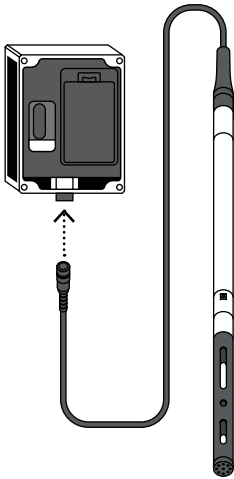
- 1** The Power Pack cover utilizes captive screws. Use a Phillips head screwdriver to loosen the 4 screws and remove the cover to access the battery compartment.



- 2** Install 6 AA alkaline batteries in the battery compartment.

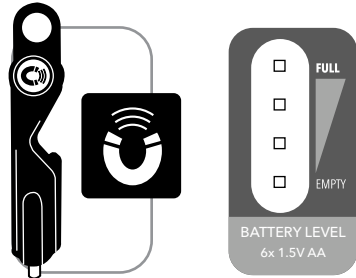


- 3** Connect the ProSwap Logger cable to the MS-8 connector.



- 4** Use the magnet tool to activate the Battery Level Indicator and check the battery level.

- 100% charge – 4 Solid LED's
- 75% charge – 3 Solid LED's
- 50% charge – 2 Solid LED's
- 25% charge – 1 Solid LED
- 0% charge – No Solid LED's (4 Flash)



- 5** Reinstall the Power Pack cover.

